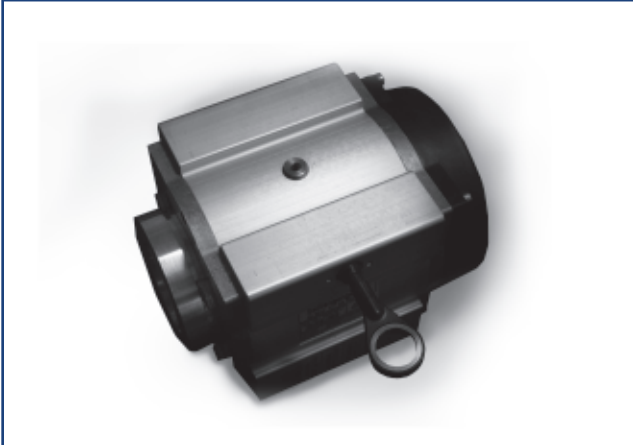


SZH series



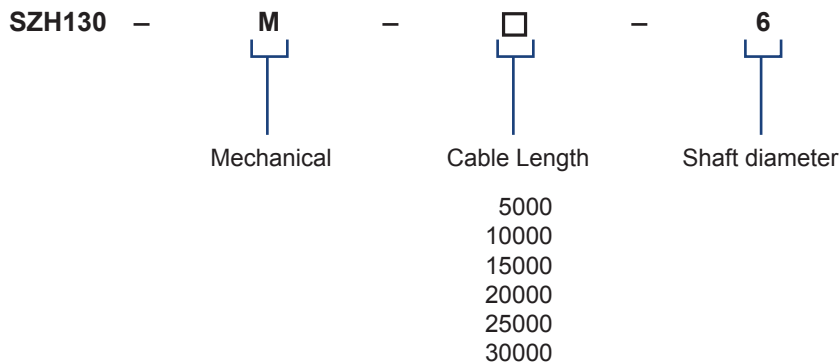
Main Features

- Patented drum mechanism:
A highly flexible measuring wire consisting of stainless and acid-resistant high-grade steel is wound on a precision measuring drum driven by a coil spring drive. During unwinding procedure the measuring drum is moved in axial direction via a threaded spindle, thereby ensuring the measuring wire to be unwound constantly side by side with constant distance. The drum revolutions will be transmitted to a suitable transmitter system (depending on application) via a backlash compensated coupling or a backlash compensated measuring gear unit.
- Rugged drum casing, material: aluminium
- Advanced working reliability and measuring accuracy
- For different applications extensive accessories are available: wire guide pulley, compressed air inlet etc.

Technical data

| Measuring length up to | 5 m | 10 m | 15 m | 20 m | 25 m | 30 m |
|----------------------------|-----------|-----------|-----------|-----------|-----------|-----------|
| Circumference of drum | 334.1 mm | 334.1 mm | 334.1 mm | 334.1 mm | 334.1 mm | 334.1 mm |
| Measuring wire diameter | 1.35 mm | 1.35 mm | 1.35 mm | 1.35 mm | 1.35 mm | 1.35 mm |
| Accuracy of drum | ±0.05 % | ±0.05 % | ±0.05 % | ±0.05 % | ±0.05 % | ±0.05 % |
| Speed of adjustment | 4 m / s | 4 m / s | 4 m / s | 4 m / s | 4 m / s | 4 m / s |
| Force of retractile spring | 10 - 21 N | 10 - 21 N | 10 - 21 N | 10 - 21 N | 10 - 21 N | 10 - 21 N |
| Casing material | aluminium | aluminium | aluminium | aluminium | aluminium | aluminium |
| IP code of casing | IP65 | IP65 | IP65 | IP65 | IP65 | IP65 |
| Material of measuring wire | 1.4401 | 1.4401 | 1.4401 | 1.4401 | 1.4401 | 1.4401 |
| Weight (without encoder) | 2.5 kg | 3.5 kg | 5.0 kg | 6.0 kg | 7.5 kg | 8.5 kg |

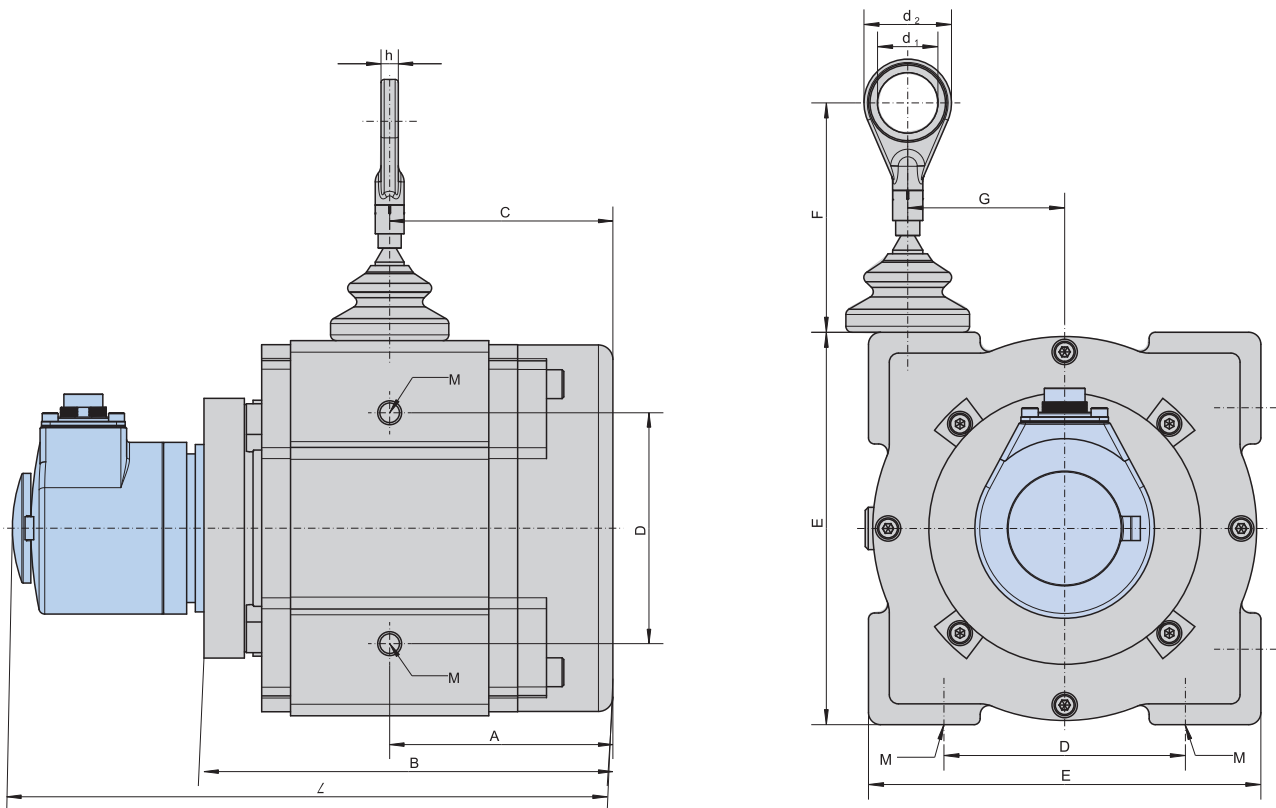
Ordering Information



Dimensions(mm)

| Measuring length up to | 5 m | 10 m | 15 m | 20 m | 25 m | 30 m |
|------------------------|------------------------|------------------------|------------------------|------------------------|------------------------|------------------------|
| A | 77.4 | 99.9 | 146.4 | 168.9 | 215.4 | 237.9 |
| B | 141.7 | 187 | 256 | 301 | 370 | 415 |
| C | 77.4 | 99.9 | 146.4 | 168.9 | 215.4 | 237.9 |
| D | 80 | 80 | 80 | 80 | 80 | 80 |
| E | 130 | 130 | 130 | 130 | 130 | 130 |
| F | ca. 80 | ca. 80 | ca. 80 | ca. 80 | ca. 80 | ca. 80 |
| G | 54 | 54 | 54 | 54 | 54 | 54 |
| M | M8 x 8 | M8 x 8 | M8 x 8 | M8 x 8 | M8 x 8 | M8 x 8 |
| L | * | * | * | * | * | * |
| h / d1 / d2 | 6/20 _{h1} /29 | 6/20 _{h1} /29 | 6/20 _{h1} /29 | 6/20 _{h1} /29 | 6/20 _{h1} /29 | 6/20 _{h1} /29 |

* depends on attached encoder



Series SZH may be equipped with our angulartransmitters as well as with all encoding systems customary in trade with servo flange shaft diameter of 6mm to be adapted via coupling or gearing.